

120X120X38 mm

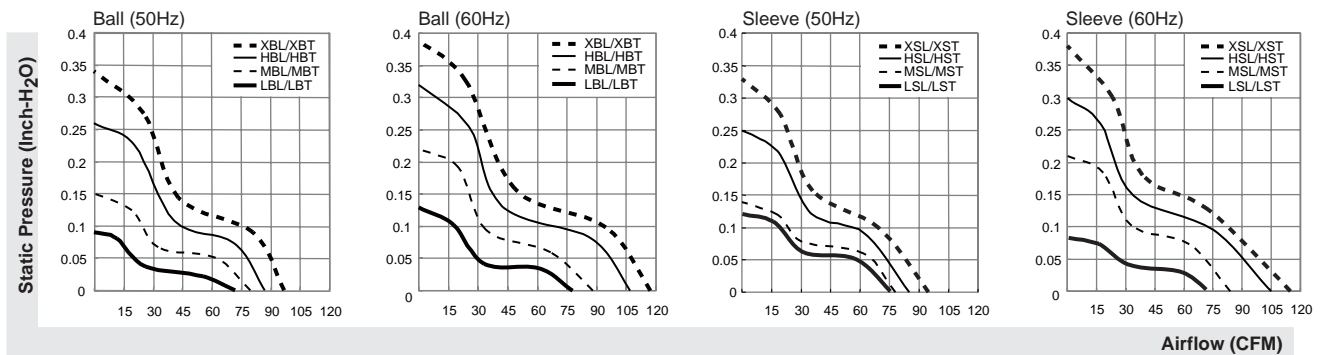
SUNON

70-117 CFM

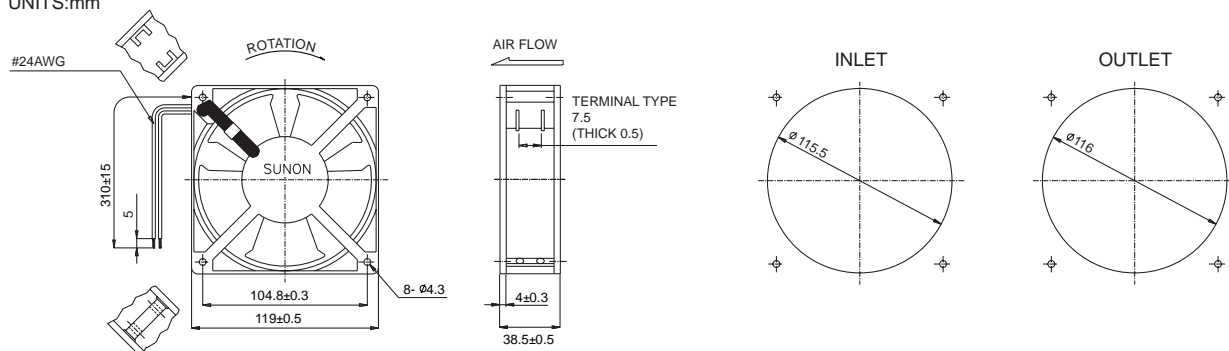


| Model | P/N | Bearing ● VAPO ○ BALL ○ Sleeve | Rating Voltage (VAC) | Freq. (Hz) | Power Current (AMP) | Power Consumption (WATTS) | Speed (RPM) | Air Flow (CFM) | Static Pressure (Inch-H ₂ O) | Noise (dBA) | Weight (g) |
|--------|------------|---|-------------------------|---------------|------------------------|------------------------------|----------------|-------------------|--|----------------|---------------|
| SP100A | 1123XSL.GN | ○ | 115 | 50/60 | 0.26/0.24 | 22/20 | 2700/3100 | 95/115 | 0.33/0.38 | 44/49 | 550 |
| SP100A | 1123XST.GN | ○ | 115 | 50/60 | 0.26/0.24 | 22/20 | 2700/3100 | 95/115 | 0.33/0.38 | 44/49 | 550 |
| SP101A | 1123HSL.GN | ○ | 115 | 50/60 | 0.21/0.18 | 20/18 | 2550/2900 | 85/105 | 0.25/0.30 | 43/48 | 550 |
| SP101A | 1123HST.GN | ○ | 115 | 50/60 | 0.21/0.18 | 20/18 | 2550/2900 | 85/105 | 0.25/0.30 | 43/48 | 550 |
| SP102A | 1123MSL.GN | ○ | 115 | 50/60 | 0.17/0.16 | 15/15 | 2400/2600 | 78/84 | 0.14/0.21 | 33/38 | 550 |
| SP102A | 1123MST.GN | ○ | 115 | 50/60 | 0.17/0.16 | 15/15 | 2400/2600 | 78/84 | 0.14/0.21 | 33/38 | 550 |
| SP103A | 1123LSL.GN | ○ | 115 | 50/60 | 0.13/0.11 | 11/11 | 2200/2000 | 76/70 | 0.12/0.08 | 38/36 | 550 |
| SP103A | 1123LST.GN | ○ | 115 | 50/60 | 0.13/0.11 | 11/11 | 2200/2000 | 76/70 | 0.12/0.08 | 38/36 | 550 |
| SP100A | 1123XBL.GN | ⊙ | 115 | 50/60 | 0.26/0.24 | 22/20 | 2850/3150 | 97/117 | 0.34/0.39 | 45/50 | 550 |
| SP100A | 1123XBT.GN | ⊙ | 115 | 50/60 | 0.26/0.24 | 22/20 | 2850/3150 | 97/117 | 0.34/0.39 | 45/50 | 550 |
| SP101A | 1123HBL.GN | ⊙ | 115 | 50/60 | 0.21/0.18 | 20/18 | 2750/3050 | 87/107 | 0.26/0.32 | 45/50 | 550 |
| SP101A | 1123HBT.GN | ⊙ | 115 | 50/60 | 0.21/0.18 | 20/18 | 2750/3050 | 87/107 | 0.26/0.32 | 45/50 | 550 |
| SP102A | 1123MBL.GN | ⊙ | 115 | 50/60 | 0.17/0.16 | 16/15 | 2500/2700 | 80/88 | 0.15/0.22 | 35/40 | 550 |
| SP102A | 1123MBT.GN | ⊙ | 115 | 50/60 | 0.17/0.16 | 16/15 | 2500/2700 | 80/88 | 0.15/0.22 | 35/40 | 550 |
| SP103A | 1123LBL.GN | ⊙ | 115 | 50/60 | 0.13/0.11 | 11/11 | 2150/2300 | 72/78 | 0.09/0.13 | 37/39 | 550 |
| SP103A | 1123LBT.GN | ⊙ | 115 | 50/60 | 0.13/0.11 | 11/11 | 2150/2300 | 72/78 | 0.09/0.13 | 37/39 | 550 |

Frame : Aluminum alloy



UNITS:mm



*All model could be customized on voltage or any other requirements to fit your need.

*Specifications subject to change without notice. Please Visit SUNON web site at <http://www.sunon.com> for update information.

120X120X38 mm

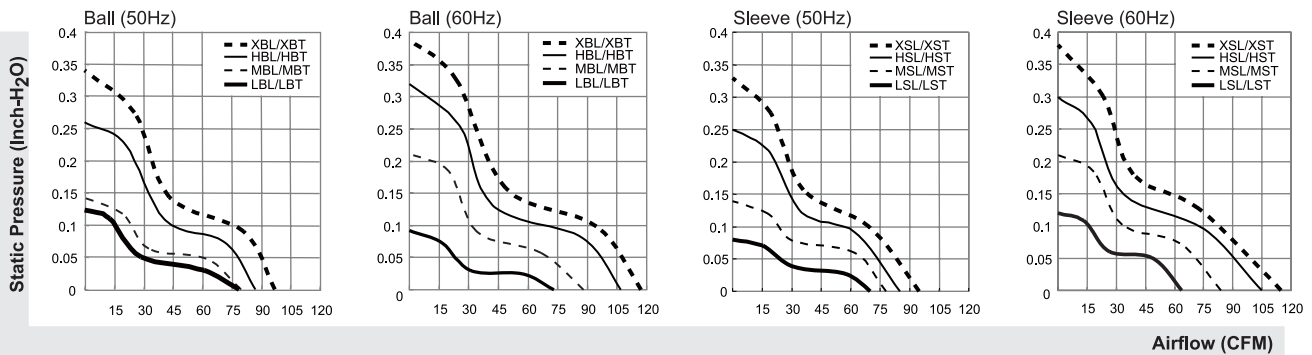
SUNON

70-117 CFM

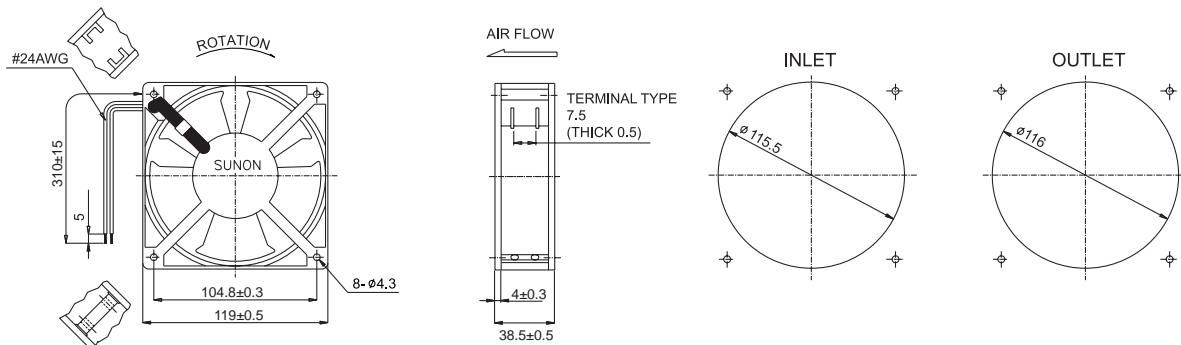


| Model | P/N | Bearing | Rating Voltage (VAC) | Freq. (Hz) | Power Current (AMP) | Power Consumption (WATTS) | Speed (RPM) | Air Flow (CFM) | Static Pressure (Inch-H ₂ O) | Noise (dBA) | Weight (g) |
|--------|------------|---------|----------------------|------------|---------------------|---------------------------|-------------|----------------|---|-------------|------------|
| DP200A | 2123XSL.GN | ○ | 220-240 | 50/60 | 0.14/0.12 | 22/21 | 2700/3100 | 95/115 | 0.33/0.38 | 44/49 | 550 |
| DP200A | 2123XST.GN | ○ | 220-240 | 50/60 | 0.14/0.12 | 22/21 | 2700/3100 | 95/115 | 0.33/0.38 | 44/49 | 550 |
| DP201A | 2123HSL.GN | ○ | 220-240 | 50/60 | 0.125/0.11 | 20/19 | 2550/2900 | 85/105 | 0.25/0.30 | 43/48 | 550 |
| DP201A | 2123HST.GN | ○ | 220-240 | 50/60 | 0.125/0.11 | 20/19 | 2550/2900 | 85/105 | 0.25/0.30 | 43/48 | 550 |
| DP202A | 2123MSL.GN | ○ | 220-240 | 50/60 | 0.09/0.08 | 16/15 | 2300/2500 | 78/84 | 0.14/0.21 | 33/38 | 550 |
| DP202A | 2123MST.GN | ○ | 220-240 | 50/60 | 0.09/0.08 | 16/15 | 2300/2500 | 78/84 | 0.14/0.21 | 33/38 | 550 |
| DP203A | 2123LSL.GN | ○ | 220-240 | 50/60 | 0.06/0.05 | 11/10 | 2000/1800 | 70/63 | 0.08/0.07 | 36/32 | 550 |
| DP203A | 2123LST.GN | ○ | 220-240 | 50/60 | 0.06/0.05 | 11/10 | 2000/1800 | 70/63 | 0.08/0.07 | 36/32 | 550 |
| DP200A | 2123XBL.GN | ⊙ | 220-240 | 50/60 | 0.14/0.12 | 22/21 | 2850/3150 | 97/117 | 0.34/0.39 | 45/50 | 550 |
| DP200A | 2123XBT.GN | ⊙ | 220-240 | 50/60 | 0.14/0.12 | 22/21 | 2850/3150 | 97/117 | 0.34/0.39 | 45/50 | 550 |
| DP201A | 2123HBL.GN | ⊙ | 220-240 | 50/60 | 0.125/0.11 | 20/19 | 2750/3050 | 87/107 | 0.26/0.32 | 45/50 | 550 |
| DP201A | 2123HBT.GN | ⊙ | 220-240 | 50/60 | 0.125/0.11 | 20/19 | 2750/3050 | 87/107 | 0.26/0.32 | 45/50 | 550 |
| DP202A | 2123MBL.GN | ⊙ | 220-240 | 50/60 | 0.09/0.08 | 16/15 | 2400/2600 | 78/84 | 0.14/0.21 | 34/39 | 550 |
| DP202A | 2123MBT.GN | ⊙ | 220-240 | 50/60 | 0.09/0.08 | 16/15 | 2400/2600 | 78/84 | 0.14/0.21 | 34/39 | 550 |
| DP203A | 2123LBL.GN | ⊙ | 220-240 | 50/60 | 0.05/0.06 | 10/10 | 2300/2150 | 78/72 | 0.13/0.09 | 39/37 | 550 |
| DP203A | 2123LBT.GN | ⊙ | 220-240 | 50/60 | 0.05/0.06 | 10/10 | 2300/2150 | 78/72 | 0.13/0.09 | 39/37 | 550 |

Frame : Aluminum alloy



UNITS:mm



*All model could be customized on voltage or any other requirements to fit your need.

*Specifications subject to change without notice. Please Visit SUNON web site at <http://www.sunon.com> for update information.

120X120X38 mm

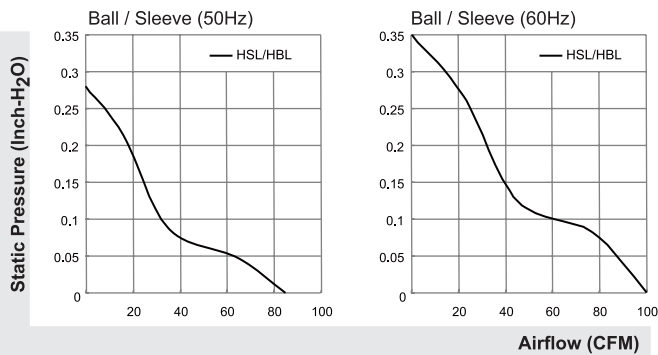
SUNON

85-100 CFM

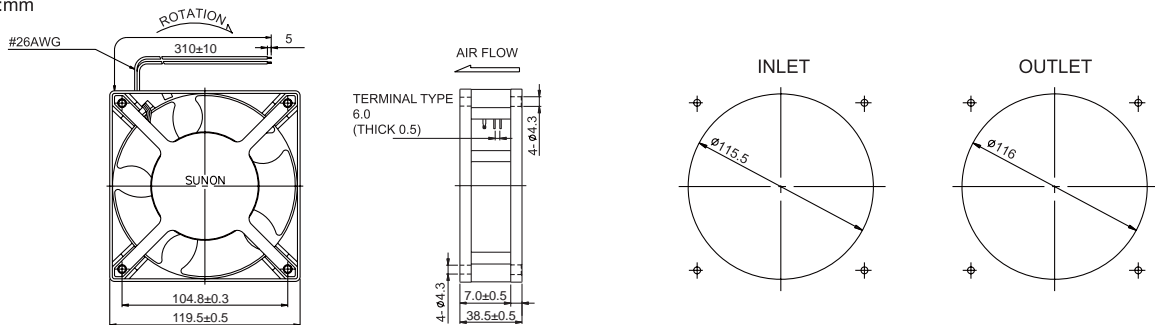


| Model | P/N | Bearing | Rating Voltage (VAC) | Freq. (Hz) | Power Current (AMP) | Power Consumption (WATTS) | Speed (RPM) | Air Flow (CFM) | Static Pressure (Inch-H ₂ O) | Noise (dBA) | Weight (g) |
|---------|------------|---------|----------------------|------------|---------------------|---------------------------|-------------|----------------|---|-------------|------------|
| SP109WR | 1123HST.GN | ○ | 115 | 50/60 | 0.25/0.22 | 22/20 | 2500/2900 | 85/100 | 0.28/0.35 | 41/47 | 465 |
| SP109WR | 1123HSL.GN | ○ | 115 | 50/60 | 0.25/0.22 | 22/20 | 2500/2900 | 85/100 | 0.28/0.35 | 41/47 | 465 |
| SP109WR | 1123HBT.GN | ⊙ | 115 | 50/60 | 0.25/0.22 | 22/20 | 2500/2900 | 85/100 | 0.25/0.30 | 42/48 | 465 |
| SP109WR | 1123HBL.GN | ⊙ | 115 | 50/60 | 0.25/0.22 | 22/20 | 2500/2900 | 85/100 | 0.25/0.30 | 42/48 | 465 |
| DP209WR | 2123HST.GN | ○ | 220-240 | 50/60 | 0.13/0.12 | 22/21 | 2500/2900 | 85/100 | 0.28/0.35 | 41/47 | 465 |
| DP209WR | 2123HSL.GN | ○ | 220-240 | 50/60 | 0.13/0.12 | 22/21 | 2500/2900 | 85/100 | 0.28/0.35 | 41/47 | 465 |
| DP209WR | 2123HBT.GN | ⊙ | 220-240 | 50/60 | 0.13/0.12 | 22/21 | 2500/2900 | 85/100 | 0.25/0.30 | 42/48 | 465 |
| DP209WR | 2123HBL.GN | ⊙ | 220-240 | 50/60 | 0.13/0.12 | 22/21 | 2500/2900 | 85/100 | 0.25/0.30 | 42/48 | 465 |

Frame : PBT Plastic



UNITS:mm



*All model could be customized on voltage or any other requirements to fit your need.

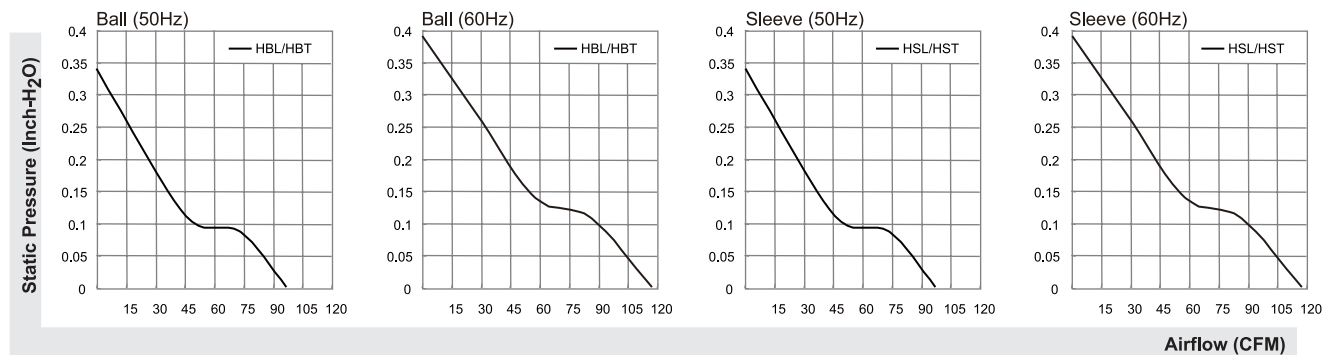
*Specifications subject to change without notice. Please Visit SUNON web site at <http://www.sunon.com> for update information.

95-117 CFM

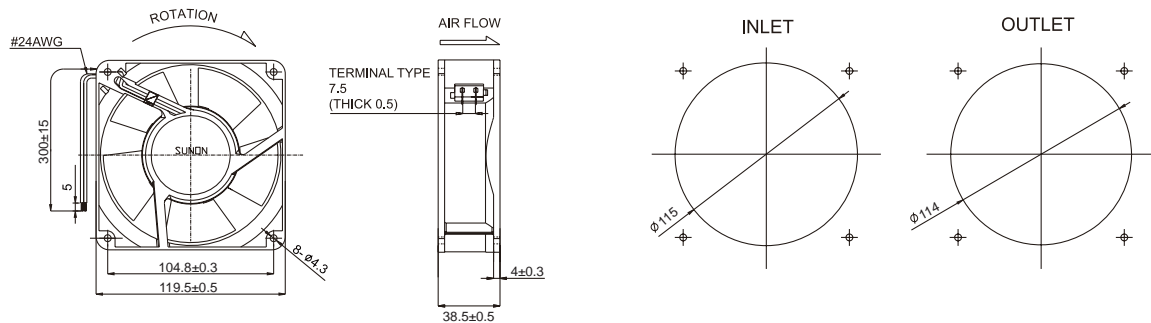


| Model | P/N | Bearing | Rating Voltage (VAC) | Freq. (Hz) | Power Current (AMP) | Power Consumption (WATTS) | Speed (RPM) | Air Flow (CFM) | Static Pressure (Inch-H ₂ O) | Noise (dBA) | Weight (g) |
|-----------|-----|---------|----------------------|------------|---------------------|---------------------------|-------------|----------------|---|-------------|------------|
| A1123-HST | GN | ○ | 115 | 50/60 | 0.28/0.25 | 23/20 | 2700/3100 | 95/115 | 0.33/0.38 | 44/49 | 525 |
| A1123-HSL | GN | ○ | 115 | 50/60 | 0.28/0.25 | 23/20 | 2700/3100 | 95/115 | 0.33/0.38 | 44/49 | 525 |
| A1123-HBT | GN | ⊙ | 115 | 50/60 | 0.28/0.25 | 23/20 | 2700/3100 | 97/117 | 0.34/0.39 | 45/50 | 525 |
| A1123-HBL | GN | ⊙ | 115 | 50/60 | 0.28/0.25 | 23/20 | 2700/3100 | 97/117 | 0.34/0.39 | 45/50 | 525 |
| A2123-HST | GN | ○ | 220-240 | 50/60 | 0.14/0.12 | 23/20 | 2700/3100 | 95/115 | 0.33/0.38 | 44/49 | 525 |
| A2123-HSL | GN | ○ | 220-240 | 50/60 | 0.14/0.12 | 23/20 | 2700/3100 | 95/115 | 0.33/0.38 | 44/49 | 525 |
| A2123-HBT | GN | ⊙ | 220-240 | 50/60 | 0.14/0.12 | 23/20 | 2700/3100 | 97/117 | 0.34/0.39 | 45/50 | 525 |
| A2123-HBL | GN | ⊙ | 220-240 | 50/60 | 0.14/0.12 | 23/20 | 2700/3100 | 97/117 | 0.34/0.39 | 45/50 | 525 |

Frame : Aluminum alloy



UNITS:mm



*All model could be customized on voltage or any other requirements to fit your need.

*Specifications subject to change without notice. Please Visit SUNON web site at <http://www.sunon.com> for update information.

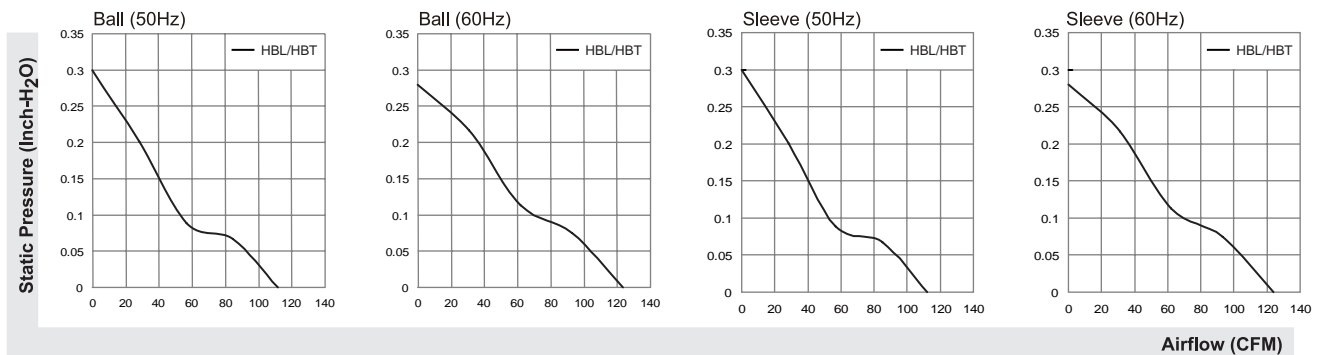
High Air Flow

112-124 CFM

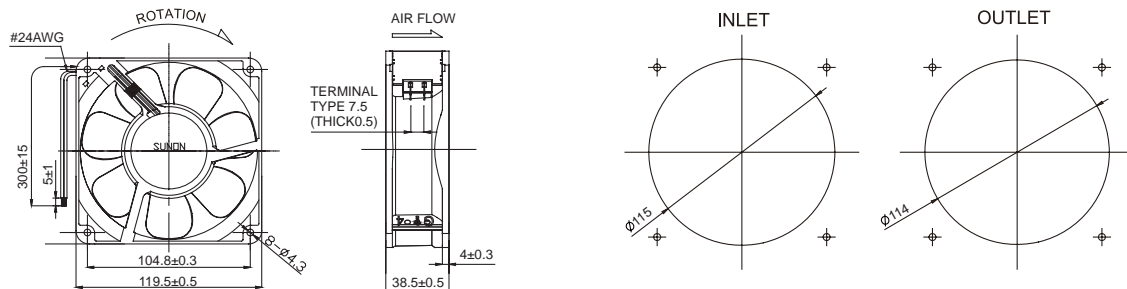


| Model | P/N | Bearing | Rating Voltage (VAC) | Freq. (Hz) | Power Current (AMP) | Power Consumption (WATTS) | Speed (RPM) | Air Flow (CFM) | Static Pressure (Inch-H ₂ O) | Noise (dBA) | Weight (g) |
|-----------|--------|---------|----------------------|------------|---------------------|---------------------------|-------------|----------------|---|-------------|------------|
| A1123-HST | (7).GN | ○ | 115 | 50/60 | 0.28/0.25 | 23/21 | 2500/2750 | 112/124 | 0.30/0.28 | 43/46 | 525 |
| A1123-HSL | (7).GN | ⊙ | 115 | 50/60 | 0.28/0.25 | 23/21 | 2500/2750 | 112/124 | 0.30/0.28 | 43/46 | 525 |
| A1123-HBT | (7).GN | ⊙ | 115 | 50/60 | 0.28/0.25 | 23/21 | 2500/2750 | 112/124 | 0.30/0.28 | 44/47 | 525 |
| A1123-HBL | (7).GN | ⊙ | 115 | 50/60 | 0.28/0.25 | 23/21 | 2500/2750 | 112/124 | 0.30/0.28 | 44/47 | 525 |
| A2123-HST | (7).GN | ○ | 220-240 | 50/60 | 0.14/0.12 | 24/22 | 2500/2750 | 112/124 | 0.30/0.28 | 43/46 | 525 |
| A2123-HSL | (7).GN | ⊙ | 220-240 | 50/60 | 0.14/0.12 | 24/22 | 2500/2750 | 112/124 | 0.30/0.28 | 43/46 | 525 |
| A2123-HBT | (7).GN | ⊙ | 220-240 | 50/60 | 0.14/0.12 | 24/22 | 2500/2750 | 112/124 | 0.30/0.28 | 44/47 | 525 |
| A2123-HBL | (7).GN | ⊙ | 220-240 | 50/60 | 0.14/0.12 | 24/22 | 2500/2750 | 112/124 | 0.30/0.28 | 44/47 | 525 |

Frame : Aluminum alloy



UNITS:mm



*All model could be customized on voltage or any other requirements to fit your need.

*Specifications subject to change without notice. Please Visit SUNON web site at <http://www.sunon.com> for update information.