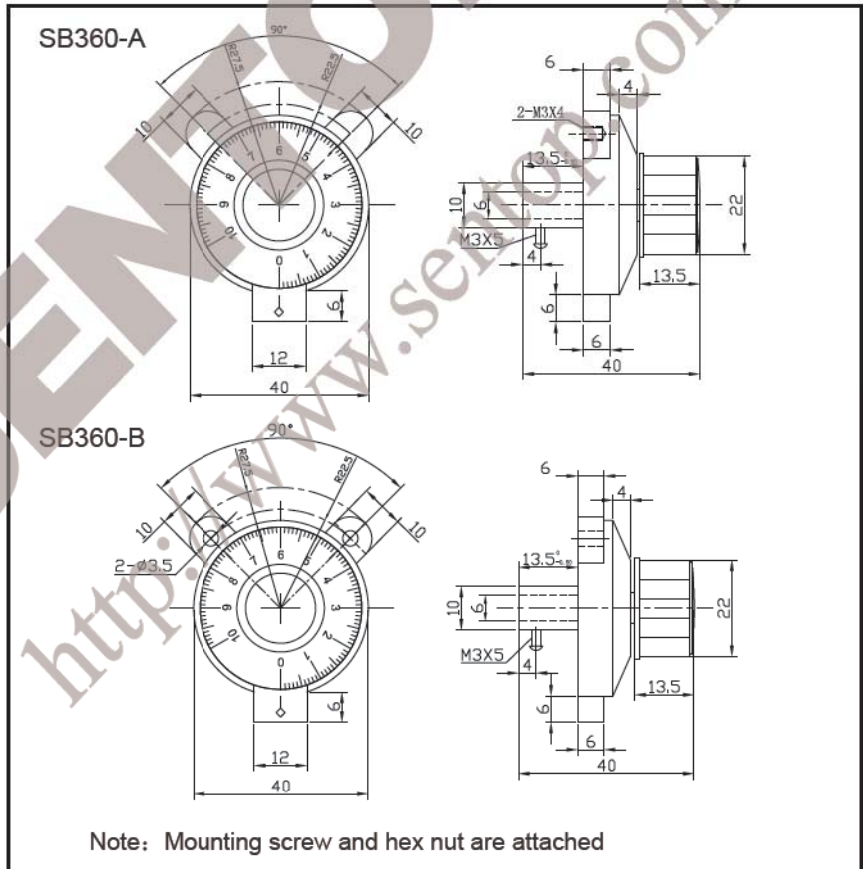


# Counting Dials SB360

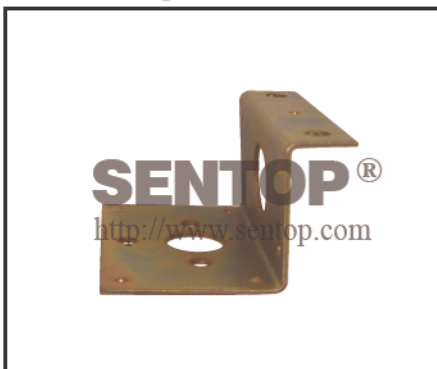
Analog Readout

LOW-COST

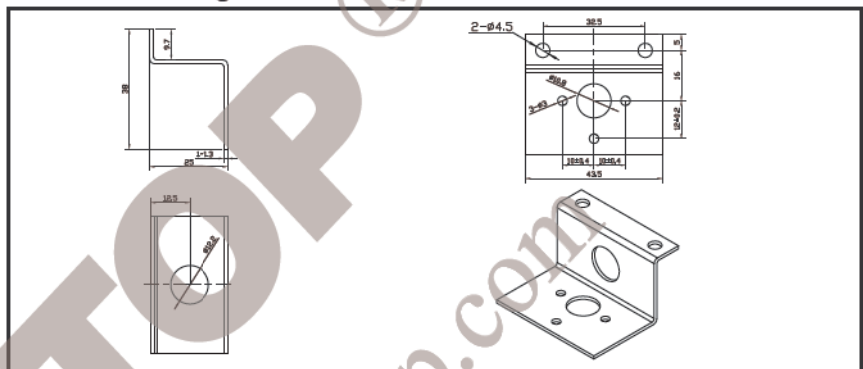
## Standard Dimensions



## Mounting Brace



## Panel Arrangement



## Specifications

SB360 series turns-counting are used for RV/RA series 1-turn potentiometers. The material of housing case is high strength, and is smooth on face. The internal mechanism use of friction principle, accurate accounting.

## General Specifications

Series	Matching Shaft Dia.	Combinable Helicalohm Pot.	Operating Temperature Range	Mass
SB360	6mm	various 1-turn Pot.	-30°C ~ ±60°C	65g

Note: Other shaft Dia. are available, such as  $\phi 3.175$ ,  $\phi 4$ ,  $\phi 6.35$ .