

AC Solid State Relay



S1 SERIES



Features

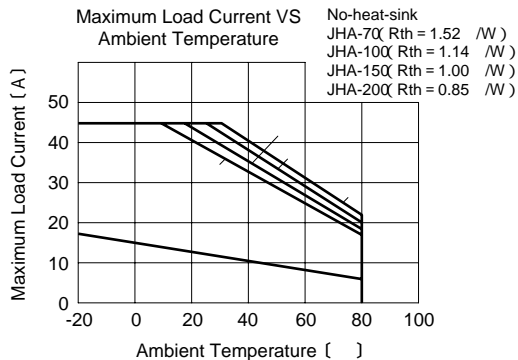
Medium power SSR with 45A load current (Max.)
 LED installed
 Dielectric strength between input and output at 3,000V/1 min.

UL, C-UL, TÜV standard approved
 Optional safety cover available (P83)
 Optional heat-sink available (P83)

Type Information

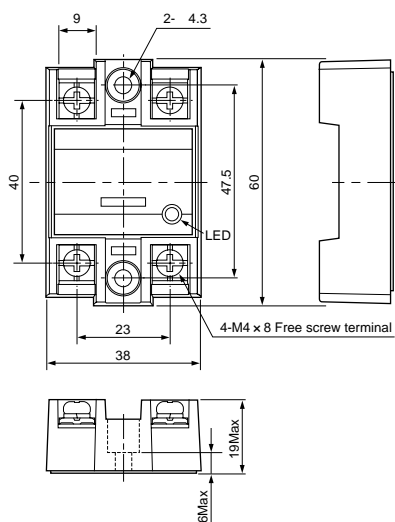
S 1 C		- 2 4 5		W D V	
Zero-cross-circuit	Standard load voltage	Max. load current	Input voltage range		
C : Built-in	2 : 100V, 200	45 : 45A	LDV : DC4 ~ 8V	ADV : AC85 ~ 264V	
			MDV : DC8 ~ 18V		
			HDV : DC18 ~ 28V		

Characteristics



Description in the catalogue is subject to change without notice. Please read the specifications thoroughly before using. Please contact JEL SYSTEM for further information.

Dimensions (mm)



Torque range

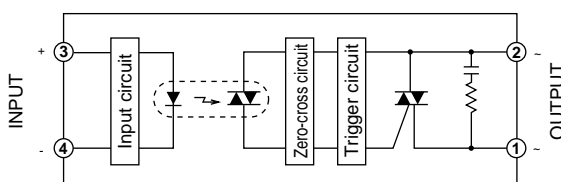
Output terminal 1.5 N · m(MAX)

Input terminal 1.5 N · m(MAX)

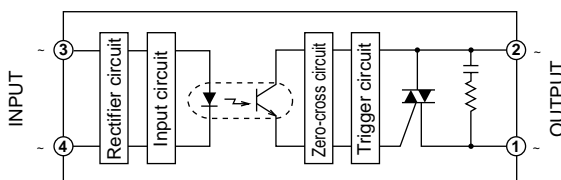
Outer case 1.5 N · m(MAX)

Equivalent Circuit

S1C-245LDV, S1C-245MDV, S1C-245HDV



S1C-245ADV



Description in the catalogue is subject to change without notice. Please read the specifications thoroughly before using.
Please contact JEL SYSTEM for further information.

Ratings

(Ta = 25)

	Item	Symbols	S1C-245LDV	S1C-245MDV	S1C-245HDV	S1C-245ADV	Units
Output	Rated Load Voltage		120、240				V _{ACrms}
	Maximum Load Current	I _{OMAX}	45				A _{ACrms}
	Maximum Load Voltage	V _{OMAX}	264				V _{ACrms}
	Peak Repetitive Off State Voltage	V _{DRM}	600			V _{DSM} = 600 * 1	V
	Peak 1 Cycle Surge Current	I _{SURGE}	440 (50Hz)				A
	Frequency	f	50、60				Hz
Input	Maximum Input Voltage	V _{IMAX}	8	18	28	264 (V _{ACrms})	V _{DC}
	Input Impedance	R _{IN}	220 ± 20 %	560 ± 20 %	1220 ± 20 %	5mA * 2	
General	Dielectric Strength	V _{ISO}	3,000 / 1min. (Between input-output-case)(Rh40 ~ 60 %)				V _{ACrms}
	Isolation Resistance	R _{ISO}	10 ⁸ and above DC500V (Between input-output-case)(Rh40 ~ 60 %)				
	Operating Temperature Range	T _{OPR}	- 20 ~ + 80				
	Storage Temperature Range	T _{STG}	- 30 ~ + 100				

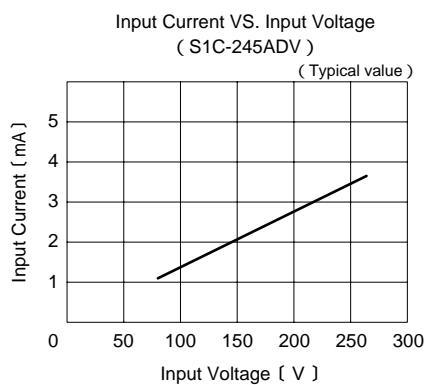
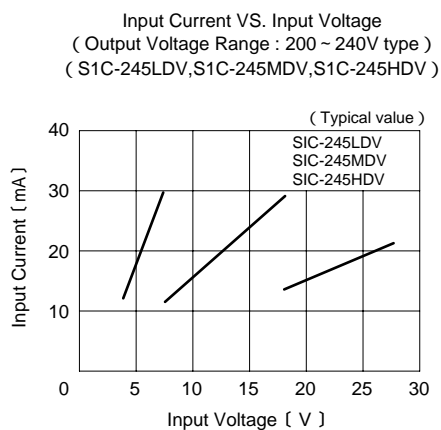
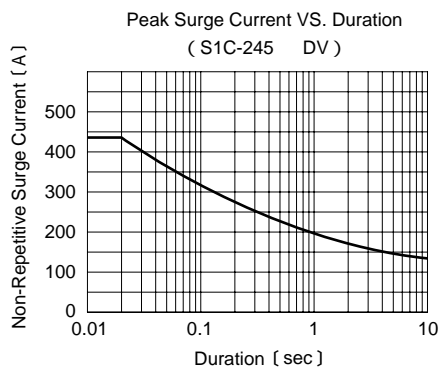
* 1 Peak non-Repetitive Off State Voltage V_{DSM} * 2 Max. input current

Electrical Characteristics

(Ta = 25)

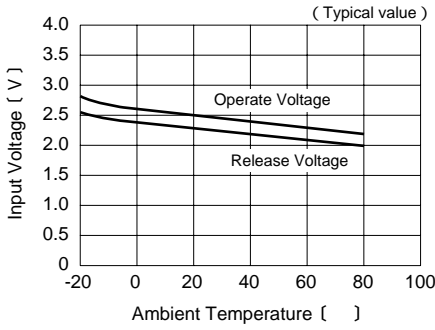
	Item	Symbols	S1C-245LDV	S1C-245MDV	S1C-245HDV	S1C-245ADV	Units
Output	Load Voltage Range	V _O	85 ~ 264				V _{ACrms}
	Off State Leakage Current	I _{LEK}	12 and below (V _O = 200V)				mA _{ACrms}
	On State Voltage Drop	V _{SAT}	1.5 and below				V _{ACrms}
	Minimum Load Current	I _{OMIN}	100				mA
Input	Input Voltage Range	V _I	4 ~ 8	8 ~ 18	18 ~ 28	85 ~ 264(V _{ACrms})	V _{DC}
	Operate Voltage	V _P	4 and below	8 and below	18 and below	85 and below (V _{ACrms})	V _{DC}
	Release Voltage	V _D	1 and above			30 and above (V _{ACrms})	V _{DC}
General	Operate Time	T _{ON}	1/2 Cycle + 1ms and below			1 + 1/2 Cycle + 1ms and below	/
	Release Time	T _{OFF}	1/2 Cycle + 1ms and below			1 + 1/2 Cycle + 1ms and below	/
	Capacitance	C _{IO}	150 and below				PF
	Zero Voltage Circuit		Built In				/
	Approved Standards		UL、C-UL、TÜV				/

Description in the catalogue is subject to change without notice. Please read the specifications thoroughly before using.
Please contact JEL SYSTEM for further information.

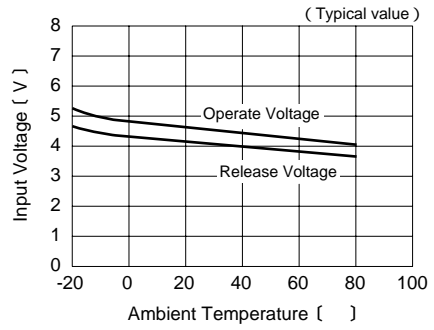


Description in the catalogue is subject to change without notice. Please read the specifications thoroughly before using.
Please contact JEL SYSTEM for further information.

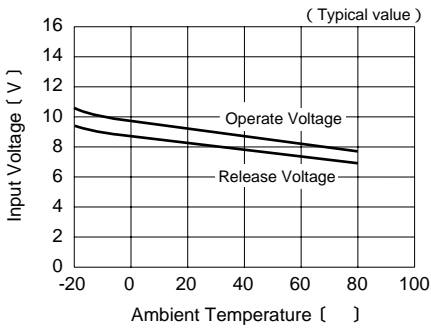
Input Characteristics VS Ambient Temperature
(Input Voltage Range : L type)
(S1C-245LDV)



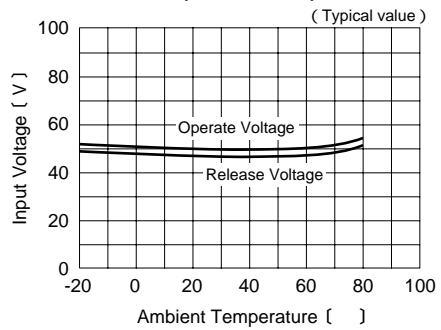
Input Characteristics VS Ambient Temperature
(Input Voltage Range : M type)
(S1C-245MDV)



Input Characteristics VS Ambient Temperature
(Input Voltage Range : H type)
(S1C-245HDV)



Input Characteristics VS Ambient Temperature
(S1C-245ADV)



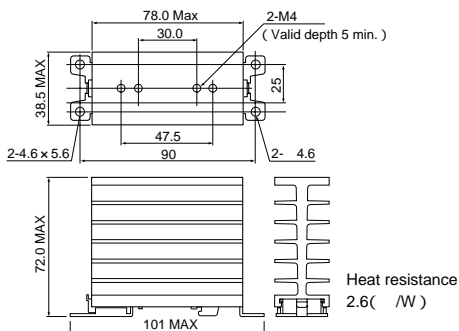
Description in the catalogue is subject to change without notice. Please read the specifications thoroughly before using.
Please contact JEL SYSTEM for further information.

Option

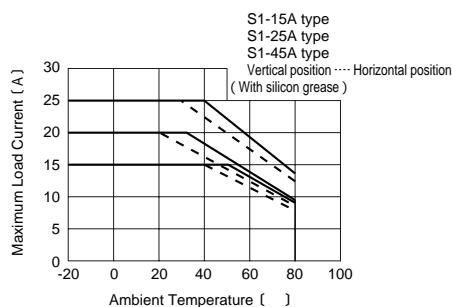
Heat-sink

Model	JHC-38-1
SUITABLE SSR	S1C Series

Dimensions

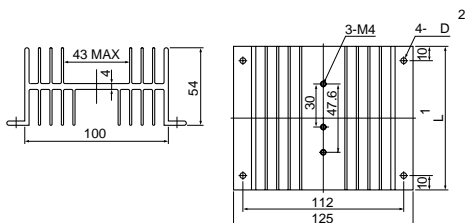


Maximum Load Current VS Ambient Temperature



Model	JHA-
SUITABLE SSR	S1C Series

Dimensions

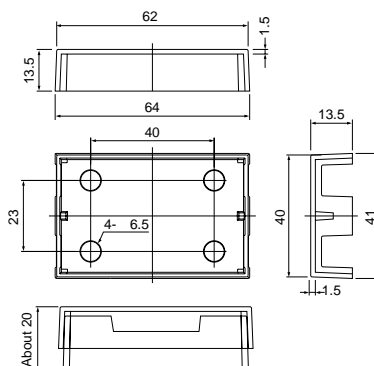


Model	Heat Resistance (/W)	1 L (mm) Dimensions	2 D (mm) Dimensions
JHA-70	1.52	70	4
JHA-100	1.14	100	4
JHA-150	1.00	150	4.5
JHA-200	0.85	200	4

Safety cover

Model	CV-S101
SUITABLE SSR	S1C Series

Dimensions



Description in the catalogue is subject to change without notice. Please read the specifications thoroughly before using. Please contact JEL SYSTEM for further information.