

40x40x10 mm

Model	P/N	Bearing ● Sleeve ⊕ 2BALL	Rating Voltage (VDC)	Power Current (mA)	Power Consumption (WATTS)	Speed (RPM)	Air Flow (CFM)	Static Pressure (Inch-H ₂ O)	Noise (dBA)	Weight (g)
KD0504PFS2	11.GN	●	5	161	0.8	5800	7.0	0.13	27.0	17
KD1204PFS1	11.GN	●	12	106	1.3	7000	8.0	0.19	32.0	17
KD1204PFS2	11.GN	●	12	92	1.1	5800	7.0	0.13	27.0	17

40x40x20 mm

Model	P/N	Bearing	(VDC)	(mA)	(WATTS)	(RPM)	(CFM)	(Inch-H ₂ O)	(dBA)	(g)
KD0504PKB1	(2).GN	⊕	5	223	1.1	7200	8.9	0.21	26.5	30
KD0504PKB2	(2).GN	⊕	5	142	0.7	6200	7.7	0.16	22.0	30
KD0504PKB3	(2).GN	⊕	5	91	0.5	5200	6.3	0.11	19.0	30
KD0504PKS1	GN	●	5	218	1.1	7200	8.9	0.21	25.5	30
KD0504PKS2	GN	●	5	140	0.7	6200	7.7	0.16	21.0	30
KD0504PKS3	GN	●	5	90	0.5	5200	6.3	0.11	18.0	30
KD1204PKBX	(2).GN	⊕	12	124	1.5	8200	10.8	0.27	28.5	31
KD1204PKB1	(2).GN	⊕	12	80	1.0	7200	8.9	0.21	26.5	31
KD1204PKB2	(2).GN	⊕	12	62	0.7	6200	7.7	0.16	22.0	31
KD1204PKB3	(2).GN	⊕	12	44	0.5	5200	6.3	0.11	19.0	31
KD1204PKSX	GN	●	12	120	1.4	8200	10.8	0.27	27.5	31
KD1204PKS1	GN	●	12	80	1.0	7200	8.9	0.21	25.5	31
KD1204PKS2	GN	●	12	63	0.8	6200	7.7	0.16	21.0	31
KD1204PKS3	GN	●	12	45	0.5	5200	6.3	0.11	18.0	31

45x45x10 mm

Model	P/N	Bearing	(VDC)	(mA)	(WATTS)	(RPM)	(CFM)	(Inch-H ₂ O)	(dBA)	(g)
KD0545PFS1	11.GN	●	5	279	1.4	6000	11.0	0.17	32	19
KD0545PFS2	11.GN	●	5	172	0.9	5000	9.2	0.12	27	19
KD1245PFS1	11.GN	●	12	114	1.4	6000	11.0	0.17	32	18.5
KD1245PFS2	11.GN	●	12	97	1.2	5000	9.2	0.12	27	18.5

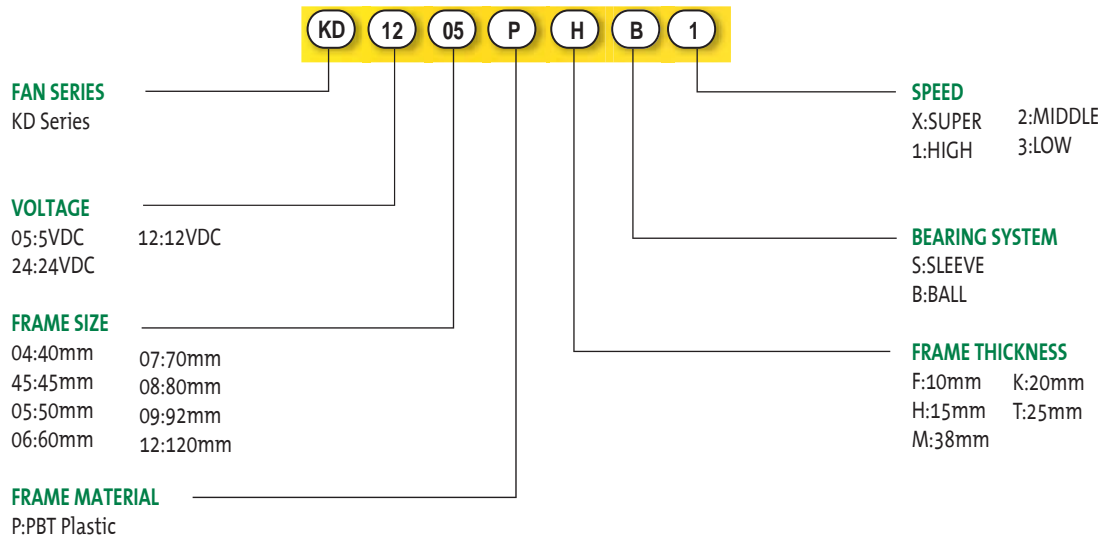
50x50x10 mm

Model	P/N	Bearing	(VDC)	(mA)	(WATTS)	(RPM)	(CFM)	(Inch-H ₂ O)	(dBA)	(g)
KD0505PFS1	11.GN	●	5	297	1.5	5200	13.0	0.14	30	21
KD0505PFS2	11.GN	●	5	181	0.9	4300	11.0	0.11	26	21
KD1205PFS1	11.GN	●	12	120	1.4	5200	13.0	0.14	30	20
KD1205PFS2	11.GN	●	12	104	1.2	4300	11.0	0.11	26	20

50x50x15 mm

Model	P/N	Bearing	(VDC)	(mA)	(WATTS)	(RPM)	(CFM)	(Inch-H ₂ O)	(dBA)	(g)
KD0505PHS2	GN	●	5	169	0.9	4700	13.0	0.17	29	39
KD0505PHS3	GN	●	5	105	0.5	3700	10.2	0.12	22	39
KD1205PHS1	GN	●	12	127	1.5	5800	17.0	0.23	33	38
KD1205PHS2	GN	●	12	81	1.0	4700	13.0	0.17	29	38
KD1205PHS3	GN	●	12	55	0.7	3700	10.2	0.12	22	38
KD2405PHS1	GN	●	24	80	1.9	5800	17.0	0.23	33	39
KD2405PHS2	GN	●	24	54	1.3	4700	13.0	0.17	29	39

DC Brushless Fan Model Numbering System



P/N

Example: KD1205PHB1 P/N:(2).GN

- 11/13 Motor model
- (2) Two ball bearing
- G Big hub
- (9) 9 Blades
- GN RoHS compliance